

6

5

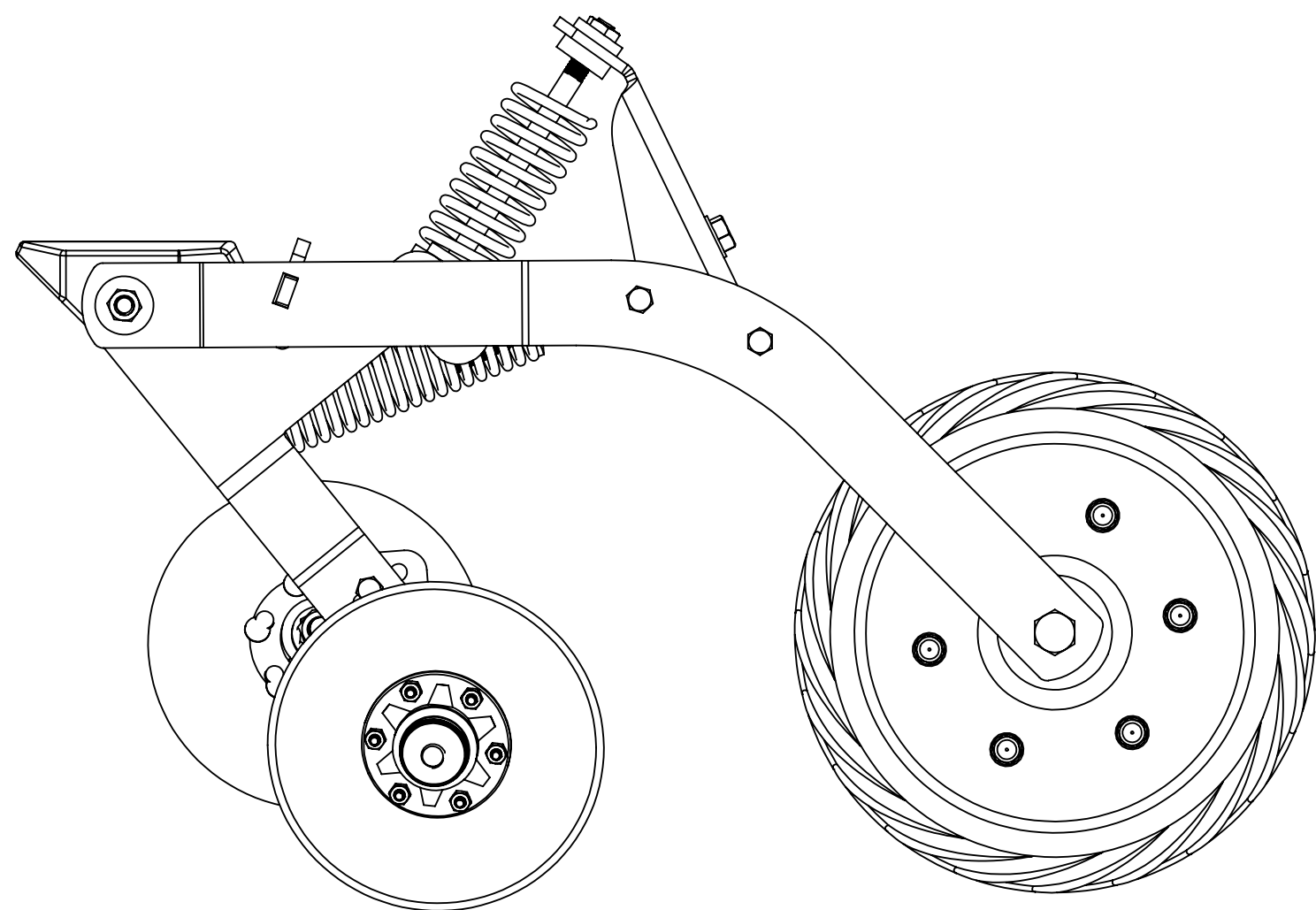
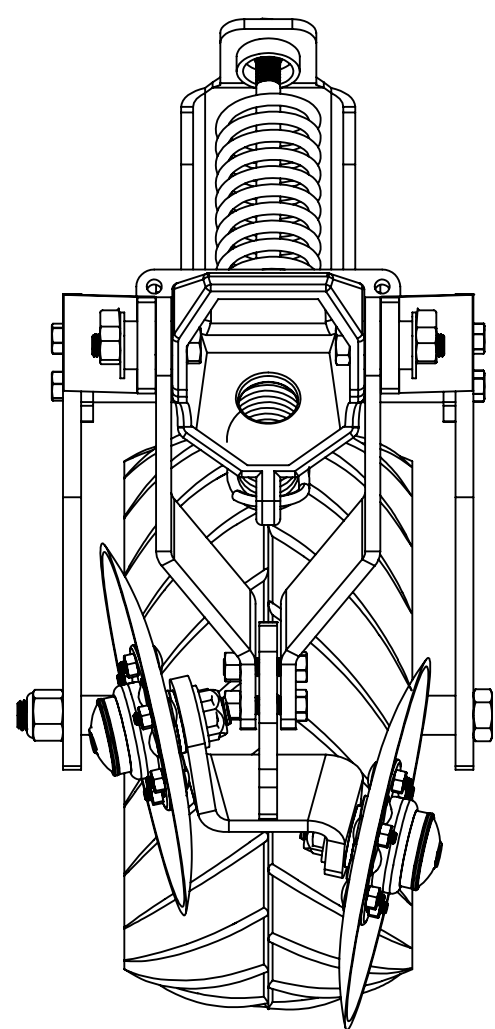
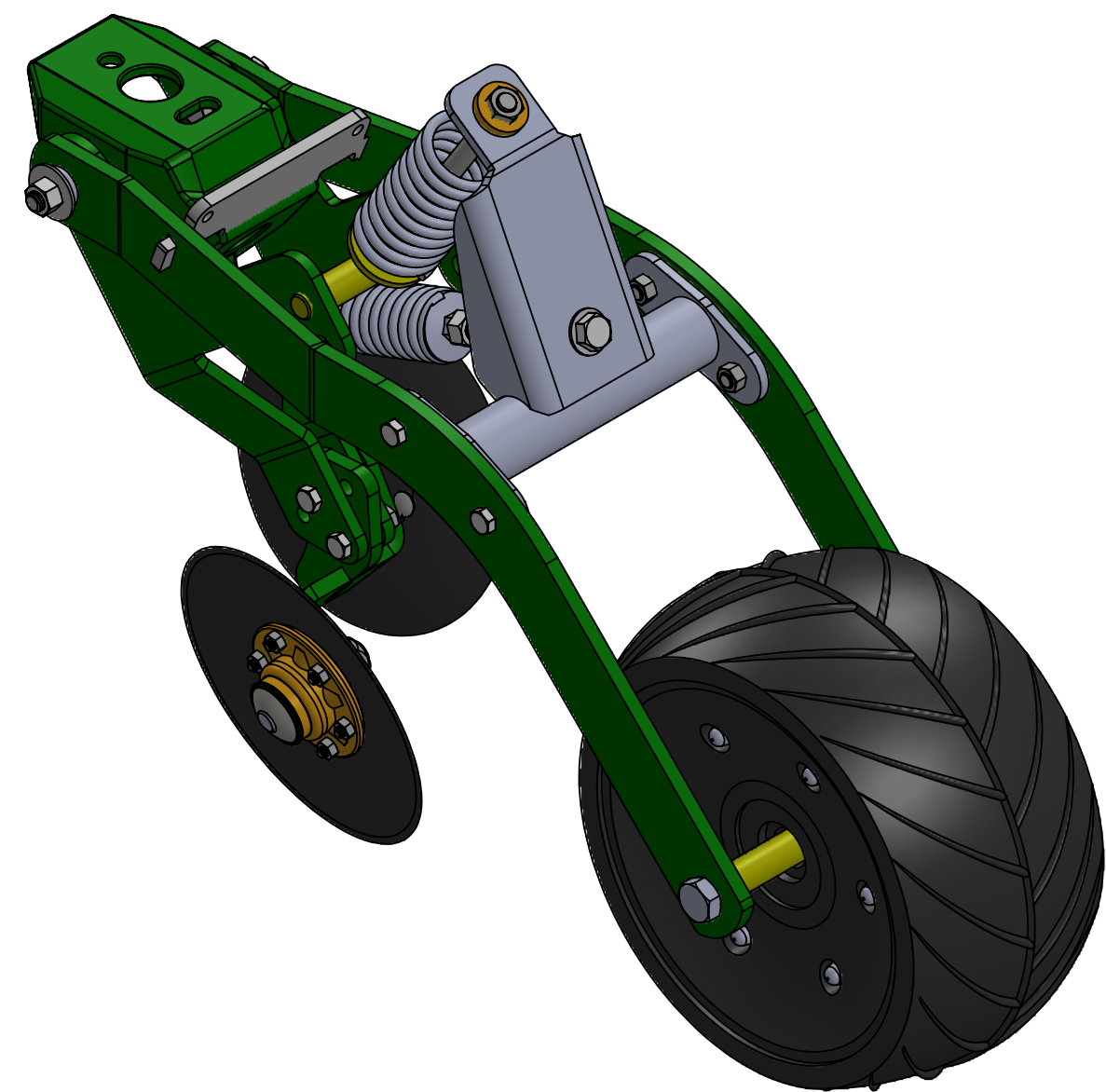
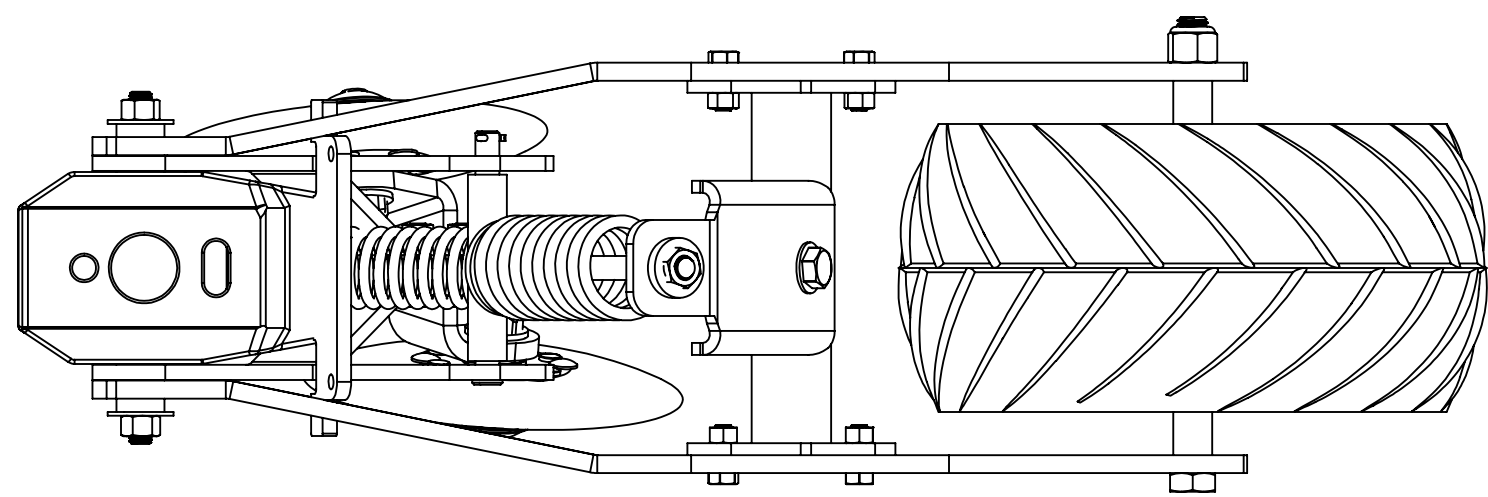
4

3

2

DWG NO.

SHEET REV  
SHT REV



RAW MATERIAL DESCRIPTION	RAW MATERIAL PART NO.
RAW_MATL_DESCR	RAW_MATL_PT_NO
RAW MATERIAL SPECIFICATION	SURFACE COATING
RAW_MATL_SPEC	SURF_COAT

THE INFORMATION ON THIS DRAWING IS THE PROPERTY OF AG FOCUS. IT IS DISCLOSED IN CONFIDENCE AND IS NOT TO BE REPRODUCED, USED OR DISCLOSED EXCEPT FOR THE PURPOSE FOR WHICH FURNISHED.

# Ag Focus<sup>SM</sup> Planter Pro<sup>®</sup>

1	REVISION		UNLESS OTHERWISE SPECIFIED	DFTR.	DATE
	RN_NO		DIMENSIONS IN INCHES	DFTR.	DATE
			TWO PL. DEC. ±0.2	DES ENGR	DATE
			THREE PL. DEC. ±0.005	R.B.W.	2.20.18
			ANGLES ±.5°	APPD.	DATE
			ONE PL. MM. ±0.5	MFG_ENGR	MFG_DATE
			TWO PL. MM. ±0.13	ENGR REF	
			TORQUE ±10%	ENG_REF	
			(ST) STATISTICALLY SAMPLED DIMENSION	NEXT_REF (FIRST ASSY WHERE LISTED)	
			* REQUIRED INSPECTION DIMENSION	NEXT_ASSY	
IT.	VI			TOOL_REF	
				TOOL_REF	
				DSPEC (PROJECT NO.)	
				D_SPEC	

TITLE	SIZE	FILENAME	DWG. NO.
	C	d:\ttd\555\555-0	555-0
SCALE	PARTS LIST	PRODUCT CODE	SHEET NO.
SCALE	PARTS_LIST	PRODUCT	SH

6

5

4

3

2

1