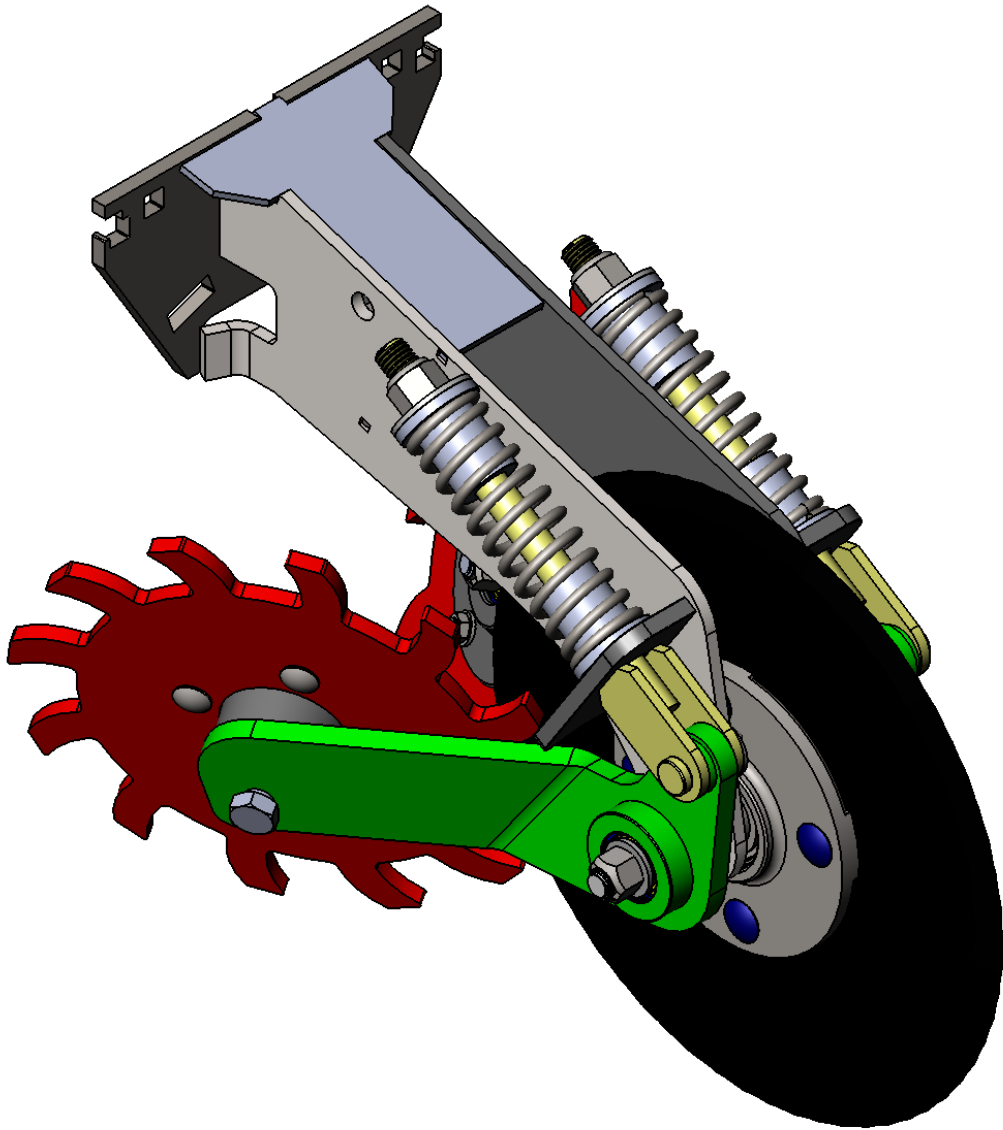


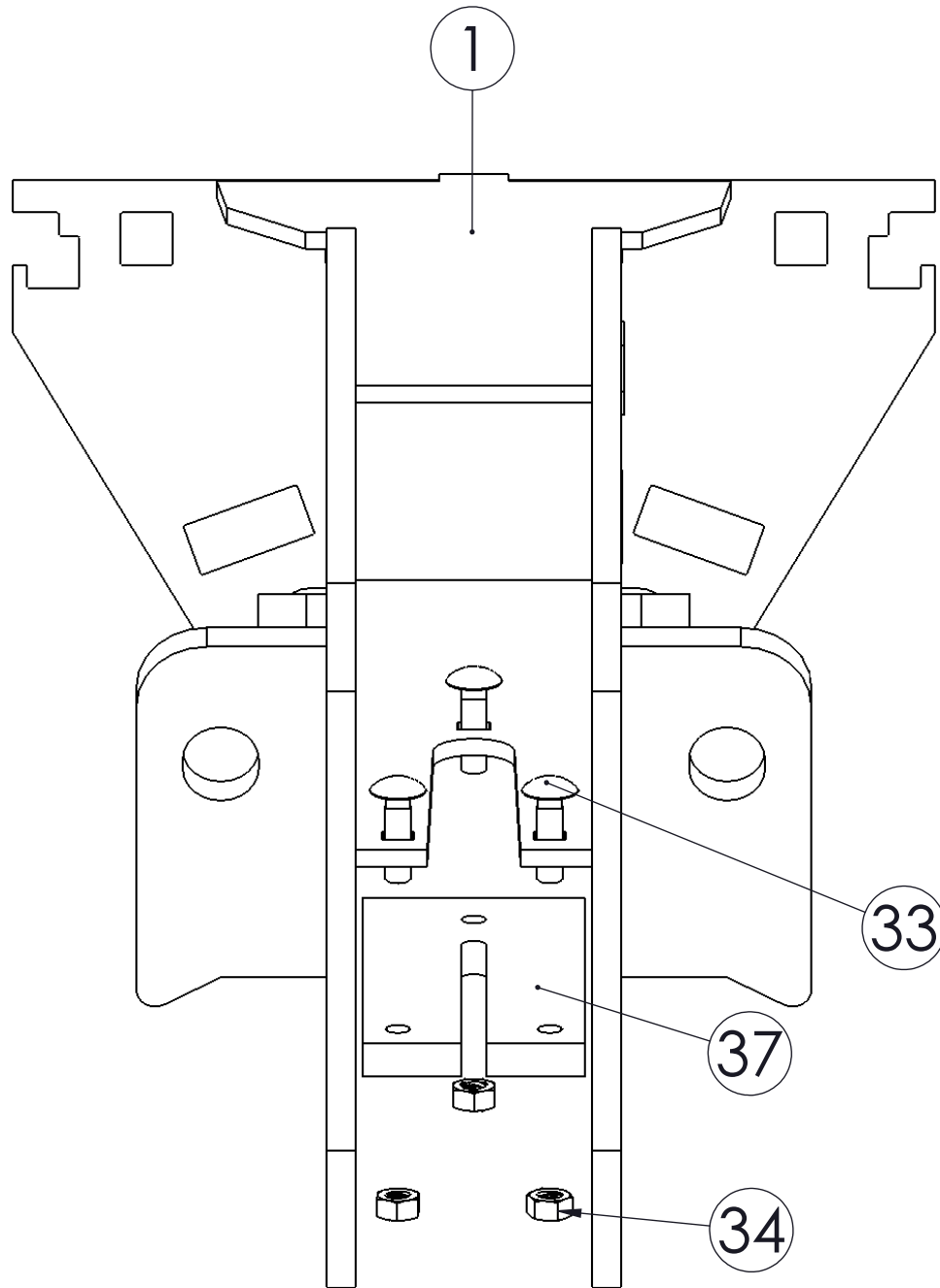
Planter Pro

Assembly Manual

Model : 472 ARC



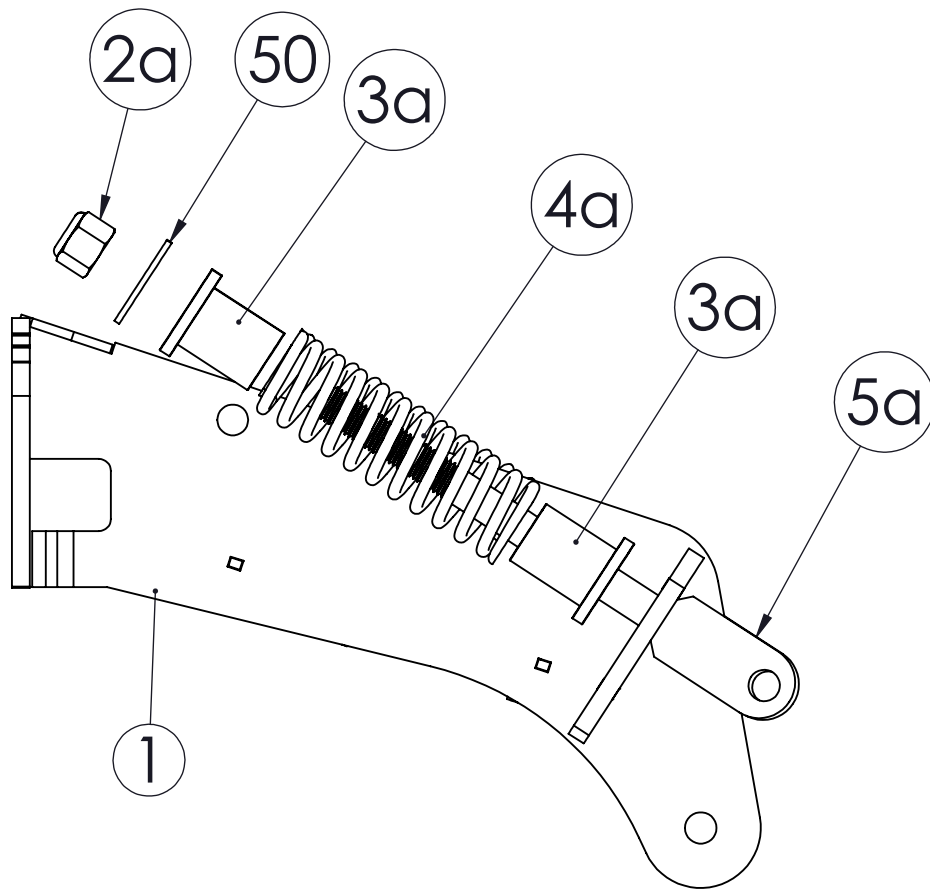
Coulter Scraper Assembly



Item No.	QTY.	PART NAME	DESCRIPTION
1	1	472-1	Frame Weldment
33	3	433-11	1/4"-20 Carriage Bolt
34	3	95065A150	1/4"-20 Nylock Nut
37	1	433-14	UHMW Coulter Scraper

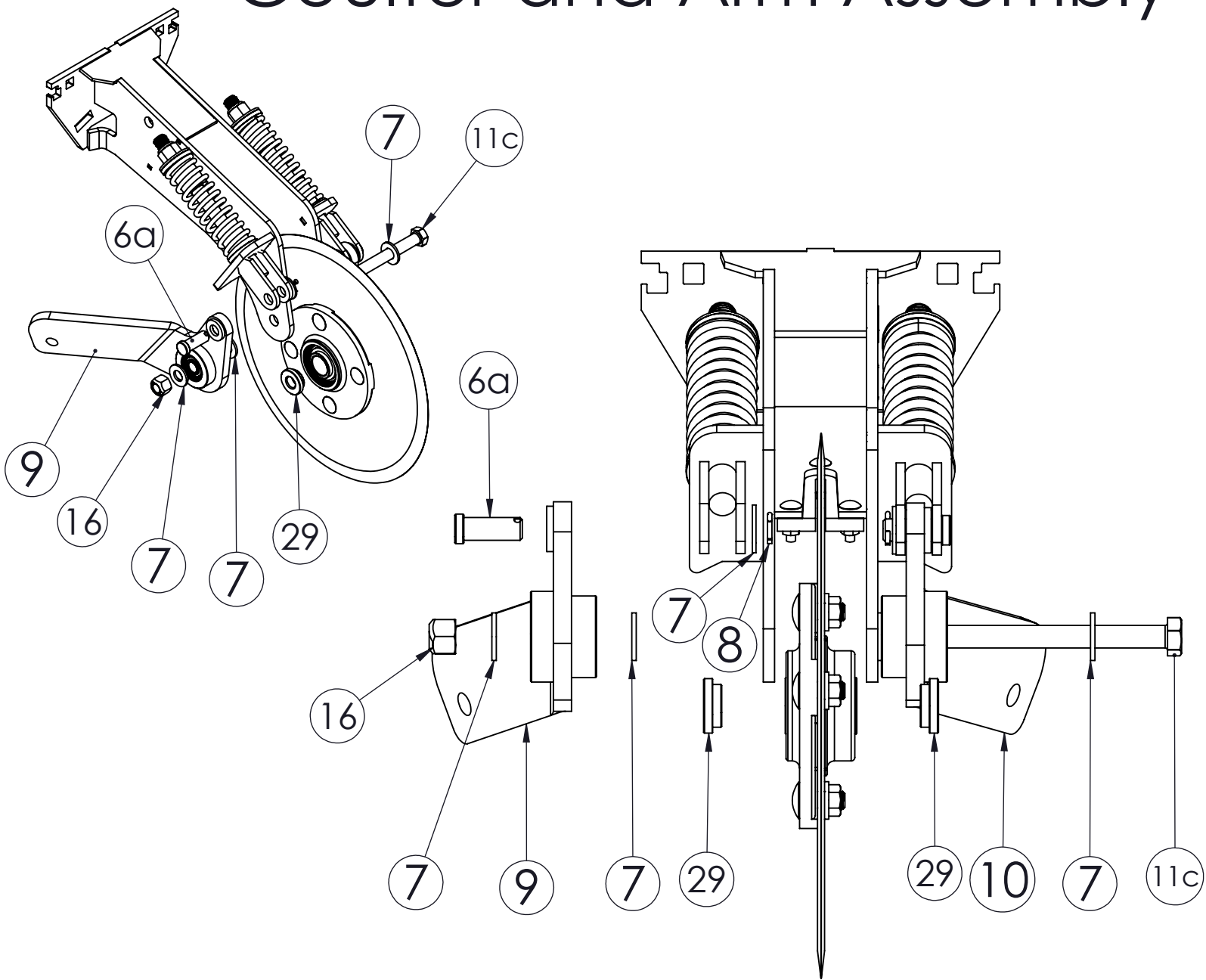
Note: Only tighten nuts (433-11) to the point the scraper (433-14) can still move left and right.

Spring Assembly



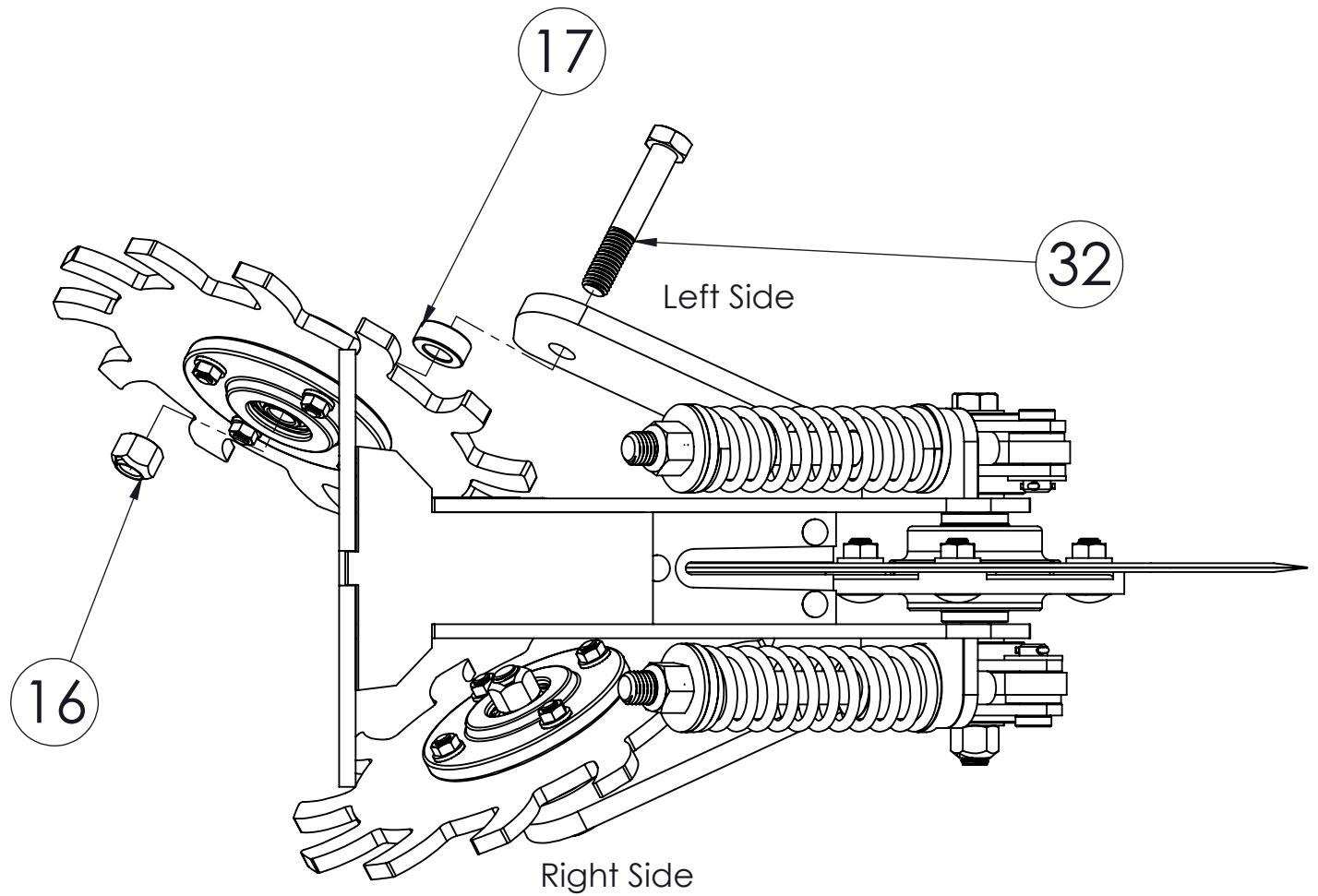
ITEM NO.	QTY	PART NAME	DESCRIPTION
1	1	472-01	Frame Weldment
2a	2	97135A280	3/4"-10 Nylock Nut
3a	4	524-1	Spring Centering Tube
4a	2	96485K141	Coil Spring
5a	2	489-0	Spring Rod Weldment
50	2	98026A036	3/4" Washer

Coulter and Arm Assembly



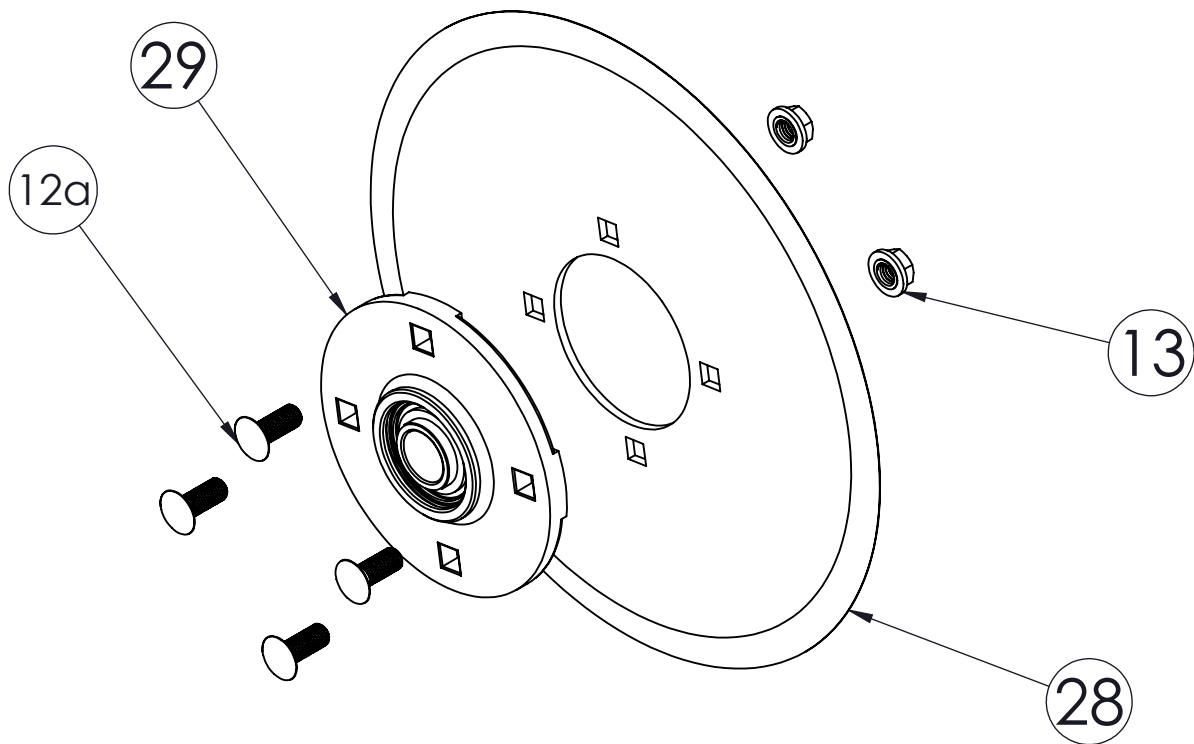
ITEM NO.	QTY	PART NAME	DESCRIPTION
6a	2	433-8	5/8" Clevis Pin
7	6	98023A035	5/8 " Washer (Hardened)
8	2	433-17	1/8" Cotter Pin
9	1	433-003	Right Arm Assembly
10	1	433-002	Left Arm Assembly
11c	1	91257A822	5/8"-11 Hexbolt
16	1	384-30	5/8"-11 Lock Nut
29	2	340-9	Bearing Adapter

Arm/ Row Cleaner Assembly



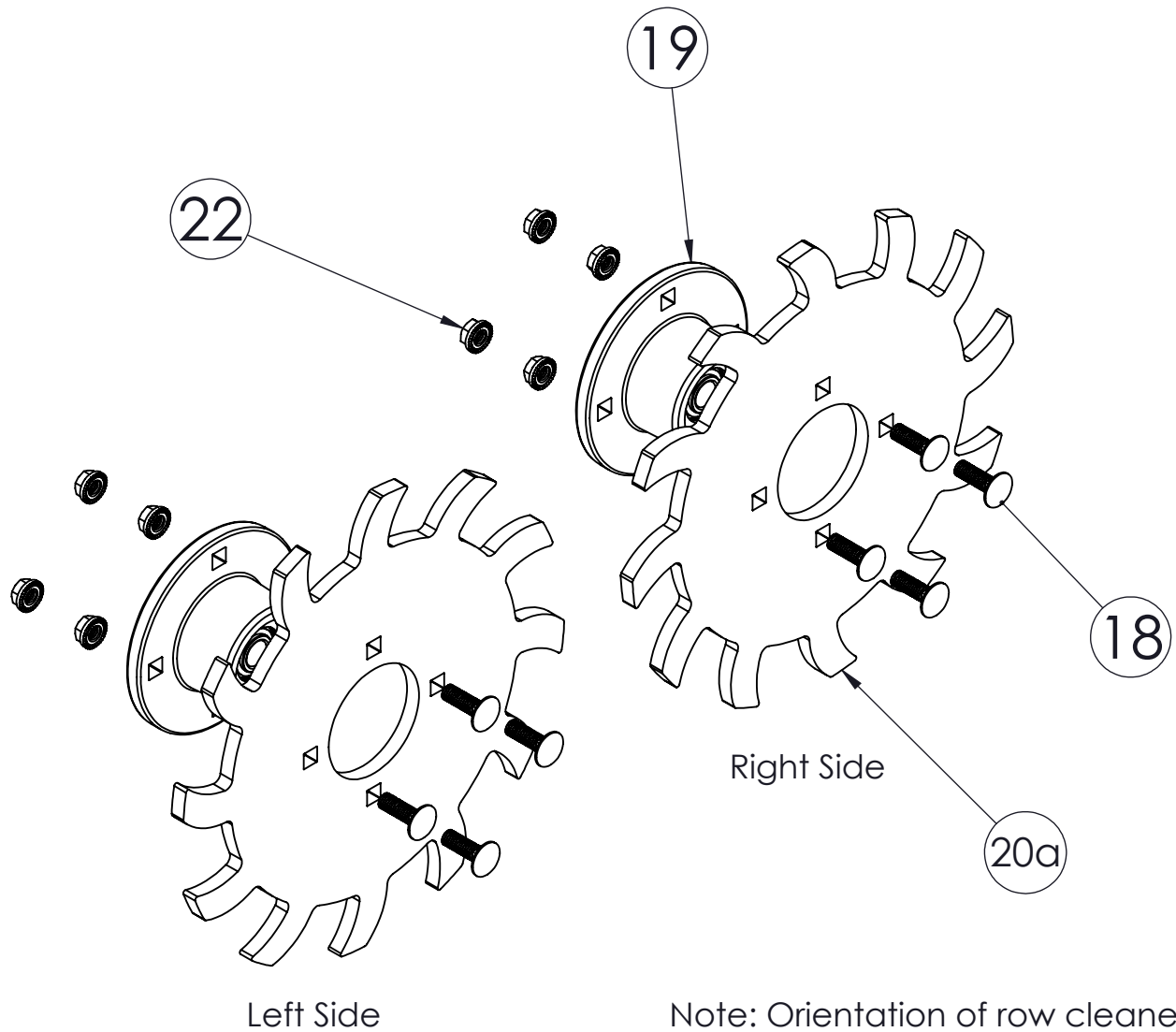
ITEM NO.	QTY	PART NAME	DESCRIPTION
16	2	384-30	5/8"-11 Lock Nut
17	2	433-15	Row Cleaner Spacer
32	2	91257A809	5/8"-11 Bolt

Coulter Hub Assembly



ITEM NO.	QTY	PART NAME	DESCRIPTION
12a	4	384-18	1/2-13" Carriage Bolt
13	4	384-19	1/2-13" Flange Lock Nut
28	1	384-17	15" Flat Coulter
29	1	340-1	Coulter Hub

Row Cleaner Assembly



Note: Orientation of row cleaners

ITEM NO.	QTY	PART NAME	DESCRIPTION
18	8	340-31	3/8"-16 Carriage Bolt
19	2	472-03	Hub Sub-Assembly
20a	2	375-4	1 1/2" Style Row Cleaner
22	8	94831A031	3/8"-16 Flange Nut